
*

(// : // :)

« »

(ITSP)

.[]

.[]

ITSP .[]]

[]

.[]

[]

.[]]

.[]

.[] []

[] .[]

ITSP

:
()

:

.()

.()

:

:

CEO CIO •

CEO CIO

.[]

.[]

« » :H1

» « » :H11

«

•

IT

IT

.[]

IT

.[]

« » :H3

« » « » :H10

_____ ...

. [] []

IT

. []

« » :H4

« » « » :H9

[]

[]

« » :H2

IT
.[]

IT

. [] IT

« » :H5

« »
.[]

« » :H6

. []

. []

_____ ...

[]

« » :H7

.

•

IT

)

)

(

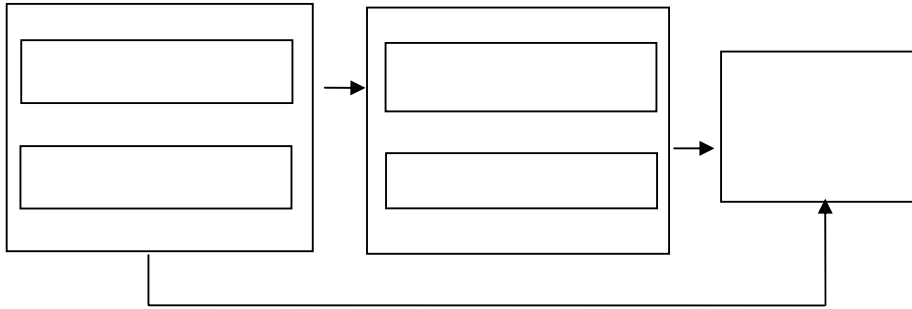
[]

(

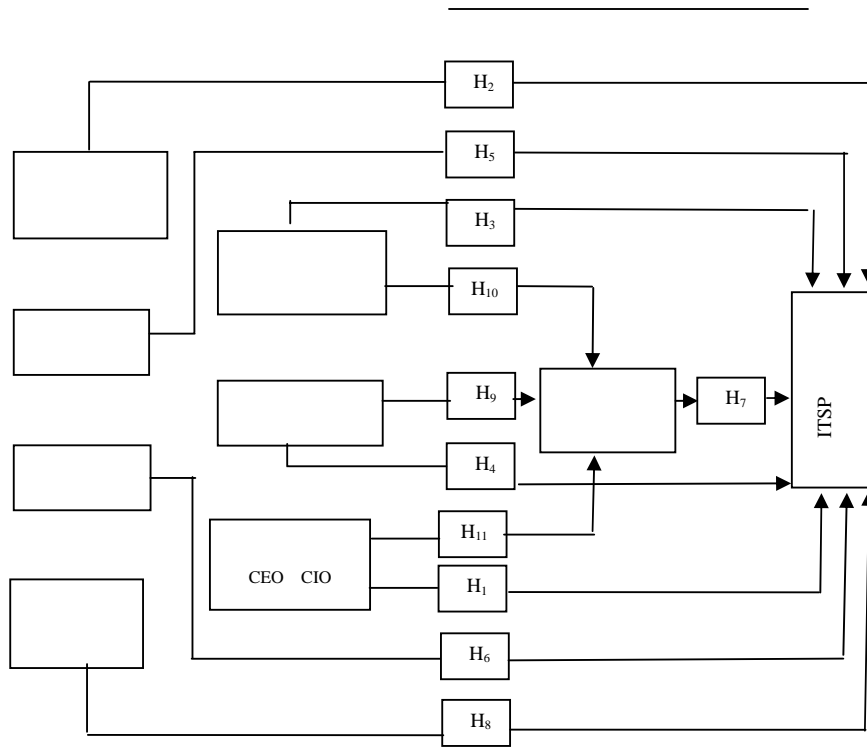
« » :H8

.

() ()



:()



:(/)

)

(

[]

:

:

[]

:

:

:

	.	.	:
		.	:
	A ₅	.	:
	.	:	()
)	.	(
		.	:
		.	:
	:	.	:
		:	:
		.	:
Front			
	Access		Page
			URL

_____ ...

()

SPSS

/

()

:()

/			
/			
/			
/			
/			
/		CEO CIO	
/			
/			
/			

LISREL

LISREL 8.5

()

()

()

[]

()

:

()

LISREL 8.5

_____ ...

()

()

()

()

()

()

()

GFI, AGFI, CFI, NFI, NNFI

SRMR

()

()

)

R^2

/ (

)

/

R^2

R^2

(

/

(

)

()

()

:()

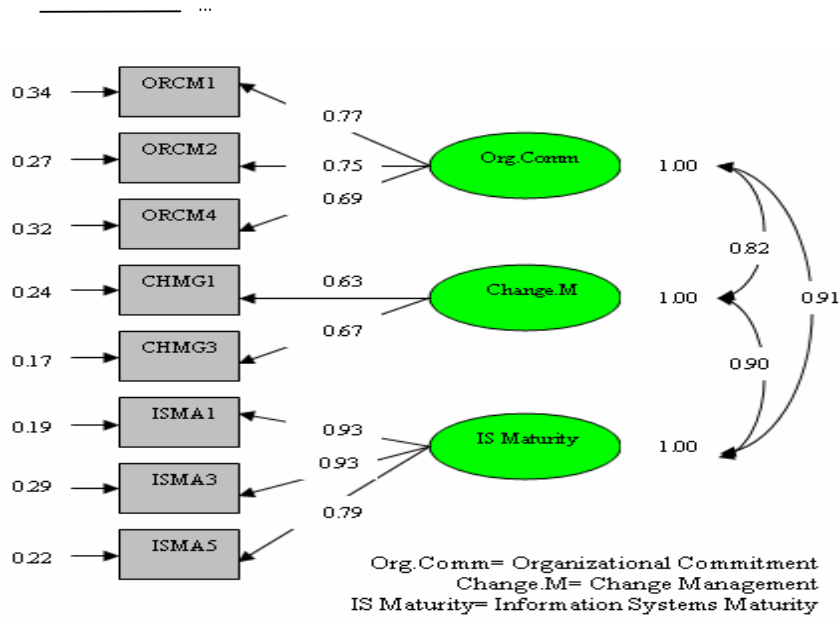
SRMR	NNFI	NFI	CFI	AGFI	GFI	Chi-Square	
/	/	/	/	/	/	/	
/	/	/	/	/	/	/	

:()

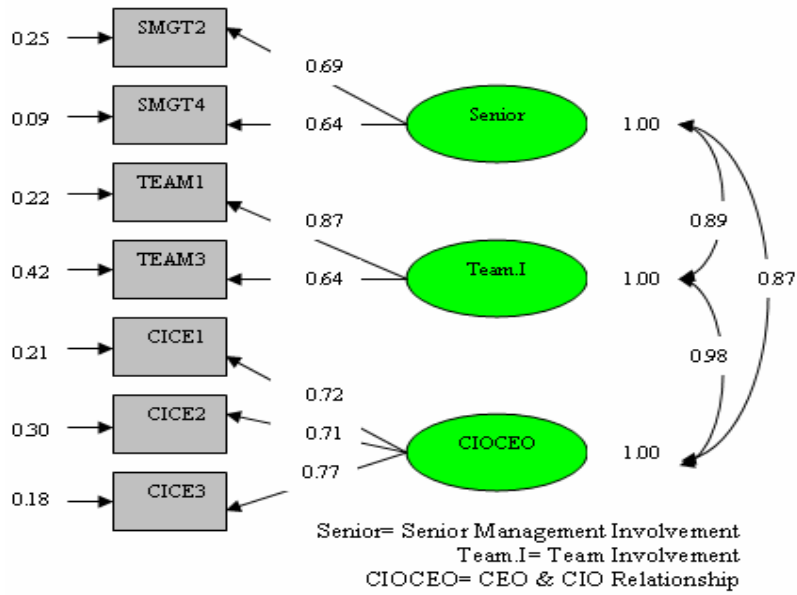
SRMR	NNFI	NFI	CFI	AGFI	GFI	Chi-Square	
/	/	/	/	/	/	/	
/	/	/	/	/	/	/	

:()

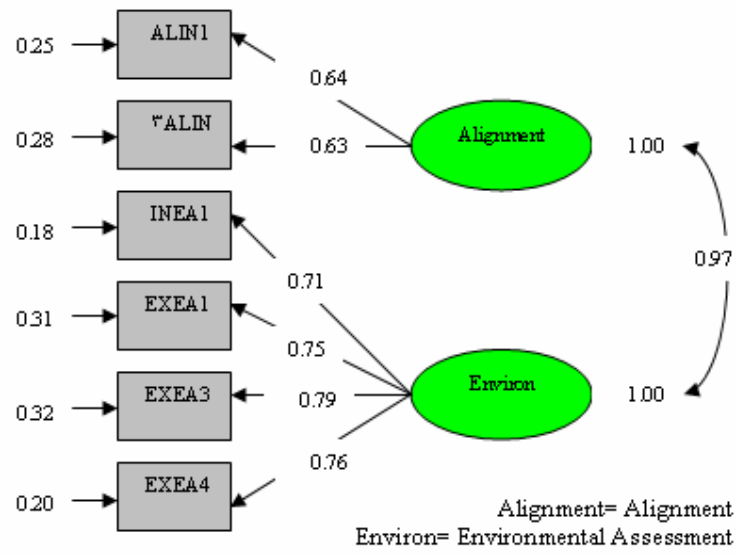
SRMR	NNFI	NFI	CFI	AGFI	GFI	Chi-Square	
/	/	/	/	/	/	/	
/	/	/	/	/	/	/	



:()

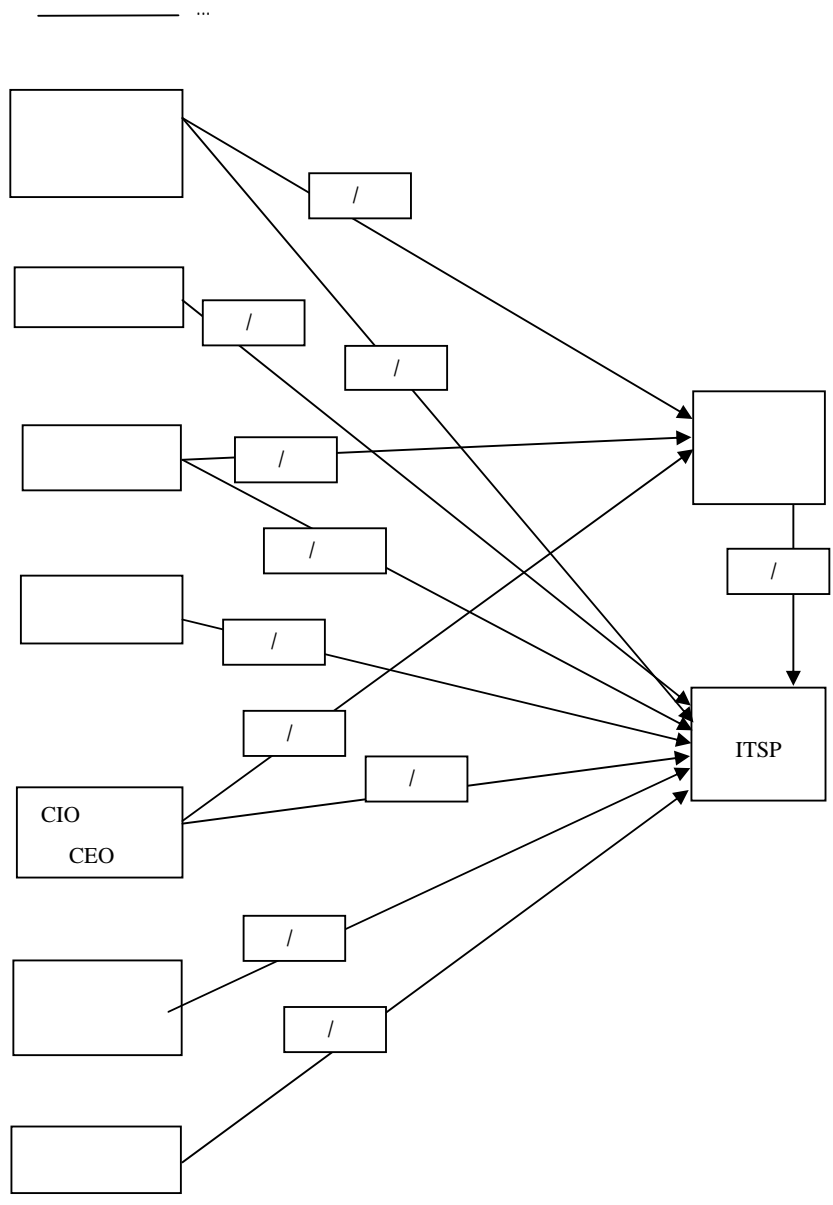


:()



:()

()



:()

Chi-Square = /

GFI = /

CFI = /

NFI = /

NNFI = /

IFI = /

RMR = /

SRMR = /

()

:()

	H3	/	ITSP	
	H10	/		
	H4	/	ITSP	
	H9	/		
	H1	/	ITSP	CEO CIO
	H11	/		
	H5	/	ITSP	
	H6	/	ITSP	
	H2	/	ITSP	
	H8	/	ITSP	
	H7	/	ITSP	

) (/)

(/)

(/

_____ ...

(/)

(/)

_____ ...

.().

.().

- 3- Bai, R. j. and Lee, G. G. (2003). "organizational Factor influencing the quality of the IS/IT strategic planning process" industrial Management and Data systems ,Vol .103 No. 8, pp. 622- 632.
- 4- Basu, v.; Hartono, E.; lederer, A. L. and sethi, v. (2002). "the impact of organizational commitment, senior management involvement and team involvement on strategic information systems planning" , Information and Management , Vol.39, pp.513- 524.
- 5- Battaglia, G. (1991). "Strategic information planning: A corporate necessity", Journal of systems management, February, PP. 23- 26.
- 6- Brancheau. J. C.; Janz. B. D. and Wetherbe, J. C. (1996). "Key issues in informationsystems management", MIS Quarterly, Vol. 20, No. 2, PP. 225- 242
- 7- Cerpa, N. and Verner, J. N. (1998). "Case study: the effect of is maturity on information systems strategic planning", Information & Management 34 (4), pp. 199– 208.
- 8- Earl, M. J. (1993), "Experiences in strategic information systems planning", MIS Quarterly ,Vol. 22, March, pp.1-24
- 9- Feeny, D. F.; Edwards, B. R. and Simpson, K. M. (1992). "understanding the CEO/CIO relationship", MIS Quarterly, December, PP.435- 448
- 10- Galliers, R. D. (1987). "Information systems planning in the United Kingdom and Australia- A comparison of current practice", Oxford Surveys in Information Technology,Vol. 4, pp. 223- 255.
- 11- Gottschalk, P. (1999). "strategic information systems planning: the IT strategy implementation matrix", European journal of information systems, Vol. 8, No. 2, PP. 107- 118.

-
- 12- Kaiser, H. (1958). "The varimax criterion for analytic rotation of factors", *Psychometrika*, 23, pp. 187- 200
 - 13- Kearns, G. S. and Lederer, A. L. (2000), "The effect of strategic alignment on the use of IS- based resources for competitive advantage", *Journal of Strategic Information Systems*, Vol. 9, pp. 265- 93.
 - 14- Lederer, A. L. and Sethi, r. (1996). "Key prescription for strategic information systems planning", *Journal of Management Information Systems*, Vol. 13, No. 1, pp. 35- 62.
 - 15- Lee, G. G. and Bai, R. J. (2003). "Organizational mechanism for successful IS/IT strategic planning in the digital era", *Management Decision* ,Vol. 41, No. 1, pp. 32- 42.
 - 16- Lee. G. G. and Gough, T. (1993). "An integrated framework for information systems planning and its initial application", *Journal of Information Technology*, Vol. 8, pp. 227- 240.
 - 17- Mentzas, G. (1997), "Implementing an IS strategy- a team approach", *Long Range Planning*, Vol. 30, No. 1, pp. 84- 95.
 - 18- Niederman, F.; Brancheau, J. c. and Wetherbe, J. C. (1991). "Information systems management issues for the 1990s", *MIS Quarterly*, Vol .17, No. 4, pp. 475- 500
 - 19- Premkumar,G. and King, W. R. (1992). "An empirical assessment of information systems planning and the role of information systems in organizations", *Journal of management Information Systems*, Vol. 9, No. 2, pp. 99- 125.
 - 20- Ray, H.; Kawalek, J. and Dhillon, G. (1999). "Strategic information systems planning: perspective on the role of the end-user revisited", *Journal of end user computing*, Vol. 11, No. 2, PP. 3- 12.
 - 21- Teo, T. S. H. and Ang, J. S. K. (2000). "How useful are strategic plans for information systems", *Behaviour and Information Technology*, Vol. 19, No. 4, pp. 275- 82.
 - 22- Teo, T. S. H. and Ang, J. S. K. (1999). "Critical success factors in the alignment of IS plans with business plan", *international journal of information management*, Vol. 19, pp.173- 185.
 - 23- Wang. E. T. G and Tai. J. C. F. (2003). "Factor affecting information systems planning effectiveness: organizational context and planning systems dimensions", *Information & Management*, Vol. 40, PP. 287- 303.
 - 24- Ward. J.; Peppard. J. (2002). "Strategic Planning for Information Systems", third edition, John Wiley & Sons.